

ENGINE

| | |
|---|---|
| Model | FPT NEF6 |
| Emissions Certification | Tier 4 Final/Stage V |
| Fuel | Requires ultra-low sulfur fuel B5 biodiesel tolerant |
| Type | Water-cooled, 4-cycle diesel, high pressure common rail system – electric control, Fixed geometry turbocharger w/ air cooled intercooler, ATS, EGR-free |
| Cylinders | 6-cylinder in line |
| Piston displacement | 411 in ³ (6.728 L) |
| Bore/Stroke | 4.09 x 5.20 in (104 x 132 mm) |
| Fuel injection | High pressure common rail system – electronic |
| Fuel filter | Replaceable, full flow spin-on cartridge |
| Air filter | Dry type dual element w/ warning restriction indicator |
| Oil filter | Replaceable, full flow spin-on cartridge |
| Engine gradeability: | |
| Side-to-side | 35° |
| Fore and aft | 35° |
| Rated flywheel horse power – SAE J1349 @ 2000 RPM: | |
| ISO 9249 | 179 hp (133.4 kW) |
| ISO 14396 | 185 hp (138 kW) |
| Net max. torque – SAE J1349 @ 1800 RPM: | |
| ISO 9249 | 474 lbf-ft (642 N·m) |
| ISO 14396 | 486 lbf-ft (659 N·m) |
| Cooling operating range: | 113° to -4°F (45° to -20°C) |
| Oil | Requires low-ash oil CJ-4 |

DRIVETRAIN

| | |
|---------------------|--|
| Travel control | Dual stage relief/ counter balance design |
| Brakes | Mechanical disc |
| Two speed travel: | |
| Max. high speed | 3.4 mph (5.5 km/h) |
| Max. low speed | 2.2 mph (3.5 km/h) |
| Automatic downshift | |
| Drawbar pull | 45,000 lbf (200 kN) |
| Gradeability | 70% – 35° Slope |

ELECTRICAL

| | |
|---|-----------------|
| Voltage | 24 Volts |
| Alternator rating | 90 amp |
| Batteries | 2 x 12 Volt |
| Battery reserve capacity | 92 Ah/5 hour |
| Work lights – 4 1 boom, 1 upper, 2 cab | 24 Volt/70 watt |
| Starter | 24 V (4.0 kW) |

OPERATOR ENVIRONMENT

| | |
|----------------------------------|---------------|
| Air conditioner output | 18,100 BTU/hr |
| Heater output | 20,150 BTU/hr |
| Sound level inside cab – ISO6395 | 70 dBA |
| Electrical outlet | 12 Volt |
| Cab interior light | 10 watt |
| Rear and side view cameras | |

Operator's Cab:

Smooth and round shape design cab; Safety glass for all windows; Shock-less cab suspension by 4-point fluid mounting; Sliding front window w/ auto lock; 10" Full-color LCD monitor display; Membrane switch on monitor display; Switch panel (including throttle dial w/ eco-mode switch); Windshield wiper & washer; AM/FM/Bluetooth Radio w/ hands-free phone; Sectioned floor mat; Polycarbonate roof hatch & Sun shade; Auto air conditioner; Roll-over protective structure (ROPS); Top guard OPG level 1 (in cab structure).

Seat:

Low frequency air suspension w/ air springs and double acting hydraulic damper; Manual weight adjustment; Backrest angle adjustment; Seat height adjustment; Adjustable armrest (Angle and height); Adjustable headrest; Retractable seat belt; Adjustable lumbar support; Console mount on suspension; Control consoles adjust independently of seat.

ATTACHMENT

| | |
|--|--|
| Boom | 19 ft 2 in (5.85 mm) |
| Arm options: | |
| Standard | 9 ft 10 in (3.00 m) |
| Short | 8 ft 2 in (2.50 m) |
| Long | 11 ft 6 in (3.52 m) |
| Bucket digging force* w/ Auto Power-Boost | 36,420 lbf (162 kN) 39,570 lbf (176 kN) |

NOTE: *Digging force ratings based on ISO6015.

OPERATING WEIGHT

| | |
|------------------|-----------------------|
| Operating weight | 56,900 lb (25 800 kg) |
| w/ shoes | 2 ft 7 in (800 mm) |
| w/ boom | 19 ft 2 in (5.85 m) |
| w/ arm | 9 ft 10 in (3.00 m) |
| w/ bucket | 1,786 lb (810 kg) |
| w/ counterweight | 11,100 lb (5 050 kg) |

NOTE: W/ operator/full fuel/standard equipment.

GROUND PRESSURE

@ Standard operating weight 5.5 psi (0.38 bar)
w/ 31.5 in (800 mm) triple semi-grouser shoes

HYDRAULICS

| | |
|--|--|
| System design | Open center |
| Main pumps | Two-variable displacement/ axial piston |
| Max. rated flow x 2 | 61.8 gpm (234 L/min) @ 2,000 RPM |
| System pressures: | |
| Boom, arm and bucket | 4,970 psi (343 kgf/cm ²) |
| w/ Power Boost | 5,410 psi (373 kgf/cm ²) |
| Travel circuits | 4,970 psi (343 kgf/cm ²) |
| Swing circuits | 4,190 psi (289 kgf/cm ²) |
| Pilot pump | 1 x gear design |
| Max. capacity | 5.3 gpm (20 L/min) |
| Pilot system working pressure: | 570 psi (39 bar, 40 kgf/cm ²) |
| Control valve w/ boom/arm holding valve: | |
| Right track travel, bucket, boom and arm acceleration. | 1 x Four-spool section |
| Left track travel, auxiliary, swing, boom and arm acceleration. | 1 x Five-spool section |
| Work mode selections | SP – Mode Power – Mode Eco – Mode Lift – Mode |

| | |
|---------------------|--|
| Swing motor | Fixed displacement axial piston |
| Swing final drive | Planetary gear reduction |
| Travel motor | Two-speed independent travel/axial piston |
| Swing brake | Mechanical disc brake |
| Turn table bearing | Ball bearing type w/ internal gear |
| Maximum swing speed | 10.6 rpm |
| Swing torque | 55,300 lbf-f (74,900 N·m) |

HYDRAULIC CYLINDERS

| | |
|-----------------------|--------------------|
| Boom cylinders | Two (2) |
| Cylinder bore | 5.1 in (130 mm) |
| Cylinder rod diameter | 3.5 in (90 mm) |
| Cylinder stroke | 52.6 in (1 335 mm) |
| Arm cylinder | One (1) |
| Cylinder bore | 5.7 in (145 mm) |
| Cylinder rod diameter | 4.1 in (105 mm) |
| Cylinder stroke | 65.4 in (1 660 mm) |
| Bucket cylinder | One (1) |
| Cylinder bore | 5.1 in (130 mm) |
| Cylinder rod diameter | 3.5 in (90 mm) |
| Cylinder stroke | 42.1 in (1 070 mm) |

SERVICE CAPACITIES

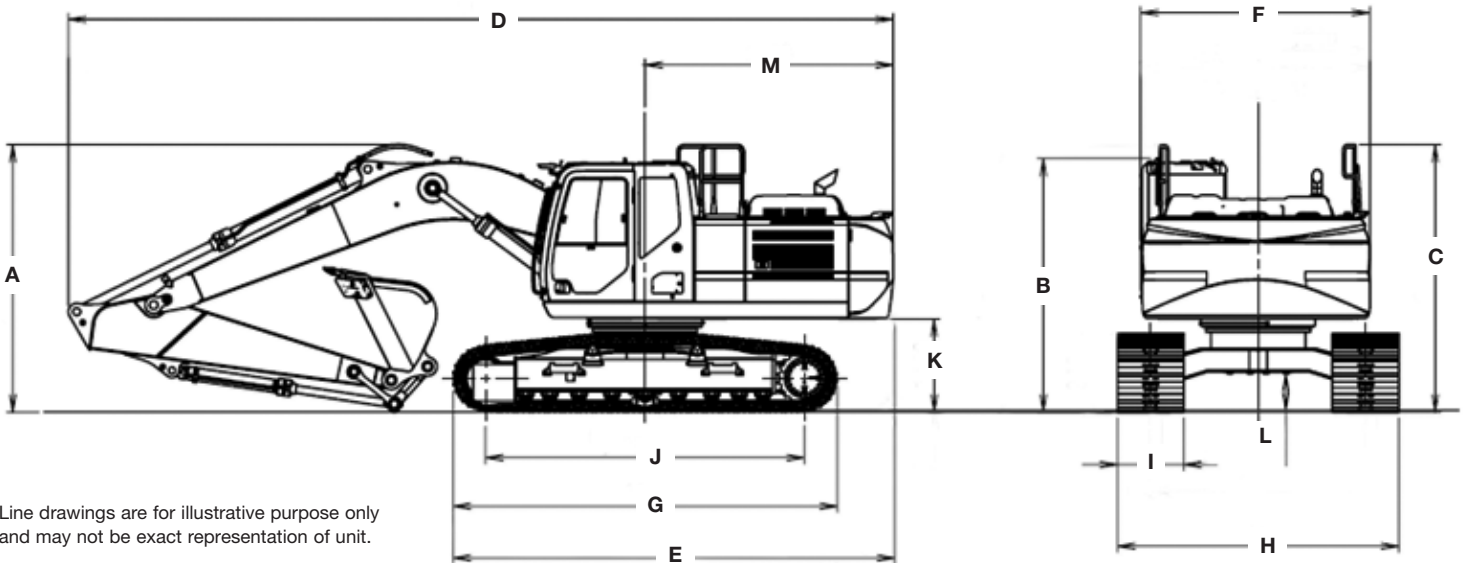
| | |
|----------------------|------------------|
| Fuel tank | 108 gal (410 L) |
| Hydraulic system | 77.0 gal (290 L) |
| Hydraulic tank | 43 gal (162 L) |
| Engine oil w/ filter | 3.9 gal (14.6 L) |
| Swing drive | 2.5 gal (9.6 L) |
| Final drive | 1.3 gal (5 L) |
| DEF Tank | 22 gal (84 L) |

COOLING SYSTEM

| | |
|----------------------|----------------------------------|
| Fan | f 25.6 in (650 mm) with 9-blades |
| Radiator capacity | 66,640 kcal/h (77.5 kW) |
| Fin type | Corrugated fin (wavy type) |
| Fin space | 0.07 in (1.75 mm) |
| Long life coolant | Coolant 55%, Water 45% |
| Oil cooler capacity | 49,010 kcal/h (57.0 kW) |
| Fin type | Corrugated fin (wavy type) |
| Fin space | 0.07 in (1.75 mm) |
| Intercooler capacity | 15,910 kcal/h (18.5 kW) |
| Fin type | Corrugated fin (wavy type) |
| Fin space | 0.07 in (1.75 mm) |
| Fuel cooler capacity | 1,110 kcal/h (1.3 kW) |
| Fin type | Corrugated fin (wavy type) |
| Fin space | 0.8 in (2.0 mm) |
| Filters: | |
| Suction filter | 105 microns |
| Return filter | 6 microns |
| Pilot line filter | 8 microns |

OTHER SPECIFICATIONS

| | |
|------------------------|----------------------------|
| Swing speed | 10.6 RPM |
| Swing torque | 55,300 lbf-ft (74.9 kN-m) |
| Swing brake | Mechanical disc |
| Undercarriage: | |
| Length | 15 ft 3 in (4 650 mm) |
| Track gauge | 8 ft 6 in (2 590 mm) |
| Carrier rollers | 2 |
| Track rollers | 9 |
| Shoes – triple grouser | 51 |
| Shoe width – std. | 2 ft 7 in (800 mm) |
| Link pitch | 7.5 in (190 mm) |
| Track: | |
| Chain | Grease lubricated/strutted |
| Guides | Single |
| Adjustment | Hydraulic |

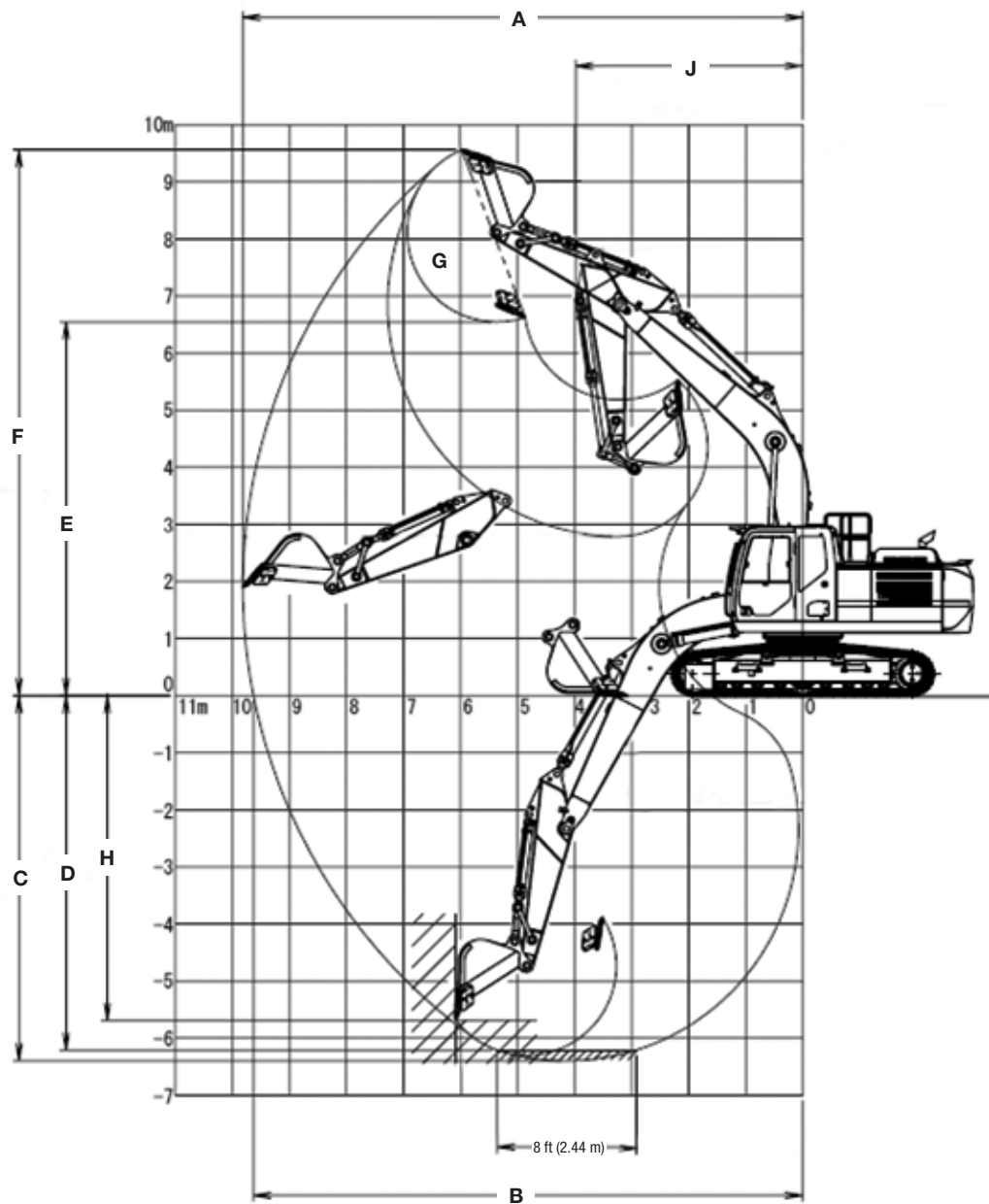


Line drawings are for illustrative purpose only and may not be exact representation of unit.

DIMENSIONS

| | 9 ft 10 in (3.0 m) Arm | 8 ft 2 in (2.5 m) Arm | 11 ft 6 in (3.52 m) Arm |
|--|------------------------|------------------------|-------------------------|
| A. Overall height – with attachment | 10 ft 6 in (3 210 mm) | 11 ft 1 in (3 380 mm) | 11 ft 1 in (3 380 mm) |
| B. Cab height | 10 ft 0 in (3 050 mm) | 10 ft 0 in (3 050 mm) | 10 ft 0 in (3 050 mm) |
| C. Overall height to top of guardrail | 10 ft 7 in (3 220 mm) | 10 ft 7 in (3 220 mm) | 10 ft 7 in (3 220 mm) |
| D. Overall length – with attachment | 32 ft 7 in (9 930 mm) | 32 ft 9 in (10 000 mm) | 32 ft 8 in (9 960 mm) |
| E. Overall length – without attachment | 17 ft 5 in (5 320 mm) | 17 ft 5 in (5 320 mm) | 17 ft 5 in (5 320 mm) |
| F. Width of upper structure | 9 ft 1 in (2 760 mm) | 9 ft 1 in (2 760 mm) | 9 ft 1 in (2 760 mm) |
| G. Track overall length | 15 ft 3 in (4 650 mm) | 15 ft 3 in (4 650 mm) | 15 ft 3 in (4 650 mm) |
| H. Track overall width with 31.5 in (800 mm) shoes | 11 ft 1 in (3 390 mm) | 11 ft 1 in (3 390 mm) | 11 ft 1 in (3 390 mm) |
| I. Track shoe width | 2 ft 7 in (800 mm) | 2 ft 7 in (800 mm) | 2 ft 7 in (800 mm) |
| J. Center to center – idler to sprocket | 12 ft 7 in (3 840 mm) | 12 ft 7 in (3 840 mm) | 12 ft 7 in (3 840 mm) |
| K. Upper structure ground clearance | 3 ft 8 in (1 110 mm) | 3 ft 8 in (1 110 mm) | 3 ft 8 in (1 110 mm) |
| L. Minimum ground clearance | 1 ft 5 in (440 mm) | 1 ft 5 in (440 mm) | 1 ft 5 in (440 mm) |
| M. Rear tail swing radius | 9 ft 9 in (2 990 mm) | 9 ft 9 in (2 990 mm) | 9 ft 9 in (2 990 mm) |
| Operating weight* | 56,909 lb (25 814 kg) | 56,358 lb (25 564 kg) | 57,240 lb (25 964 kg) |
| Ground pressure | 5.5 psi (0.38 bar) | 5.5 psi (0.38 bar) | 5.5 psi (0.38 bar) |
| Track gauge | 8 ft 6 in (2 590 mm) | 8 ft 6 in (2 590 mm) | 8 ft 6 in (2 590 mm) |
| Crawler tracks height | 3 ft 1 in (940 mm) | 3 ft 1 in (940 mm) | 3 ft 1 in (940 mm) |

NOTE: *With 19 ft 2 in (5.85 m) boom, 31.5 in (800 mm) track shoe, 1,786 lb (810 kg) bucket, 165 lb (75 kg) operator, full fuel and standard equipment.



PERFORMANCE SPECS

| | 9 ft 10 in (3.0 m) Arm | 8 ft 2 in (2.5 m) Arm | 11 ft 6 in (3.52 m) Arm |
|---|------------------------|-----------------------|-------------------------|
| A. Maximum dig radius | 33 ft 9 in (10 280 mm) | 32 ft 3 in (9 820 mm) | 35 ft 5 in (10 790 mm) |
| B. Dig radius at groundline | 33 ft 2 in (10 100 mm) | 31 ft 7 in (9 630 mm) | 34 ft 10 in (10 620 mm) |
| C. Maximum dig depth | 22 ft 8 in (6 900 mm) | 21 ft 0 in (6 400 mm) | 24 ft 4 in (7 420 mm) |
| D. Dig depth – 8 ft 0 in (2.44 m) level bottom | 22 ft 1 in (6 740 mm) | 20 ft 4 in (6 210 mm) | 23 ft 10 in (7 270 mm) |
| E. Dump height | 22 ft 2 in (6 760 mm) | 21 ft 6 in (6 550 mm) | 23 ft 2 in (7 060 mm) |
| F. Maximum reach height | 28 ft 7 in (8 712 mm) | 27 ft 1 in (8 272 mm) | 30 ft 3 in (9 212 mm) |
| G. Bucket rotation | 175° | 175° | 175° |
| H. Maximum vertical wall dig depth | 20 ft 2 in (6 140 mm) | 18 ft 8 in (5 700 mm) | 21 ft 11 in (6 680 mm) |
| J. Minimum swing radius | 13 ft 3 in (4 030 mm) | 13 ft 1 in (3 980 mm) | 13 ft 3 in (4 050 mm) |
| Arm digging force: | | | |
| Standard | 26,977 lbf (120 kN) | 31,698 lbf (141 kN) | 24,055 lbf (107 kN) |
| Power Boost | 29,225 lbf (130 kN) | 34,396 lbf (153 kN) | 26,078 lbf (116 kN) |
| Bucket digging force: | | | |
| Standard | 36,419 lbf (162 kN) | 36,419 lbf (162 kN) | 36,419 lbf (162 kN) |
| Power Boost | 39,566 lbf (176 kN) | 39,566 lbf (176 kN) | 39,566 lbf (176 kN) |
| Boom length | 19 ft 2 in (5 850 mm) | 19 ft 2 in (5 850 mm) | 19 ft 2 in (5 850 mm) |
| Bucket radius | 5 ft 2 in (1 570 mm) | 5 ft 2 in (1 570 mm) | 5 ft 2 in (1 570 mm) |

LIFT CAPACITIES

9 ft 10 in (3.0 m) Arm Lift capacities calculated using a 1,786 lb (810 kg) bucket, 11,508 lb (5 220 kg) counterweight.

| Load (Lift Point Height) | MINIMUM REACH | | | 0 ft (0 m) | | 5 ft (1.5 m) | | 10 ft (3 m) | | 15 ft (4.5 m) | | 20 ft (6 m) | | 25 ft (7.5 m) | | MAXIMUM REACH | | |
|--------------------------------|------------------------|----------------------------|----------------------------|---------------|------|----------------------------|----------------------------|----------------------------|----------------------------|----------------------------|---------------------------|---------------------------|---------------------------|---------------------------|------------------------|-------------------------|---------------------------|--------------------------|
| | @ | END | SIDE | END | SIDE | END | SIDE | END | SIDE | END | SIDE | END | SIDE | END | SIDE | @ | END | SIDE |
| +25 ft (7.5 m) | 18 ft 8 in (5.69 m) | 11,250 lb* (5 103 kg)* | 11,250 lb* (5 103 kg)* | | | | | | | | | 9,150 lb* (4 150 kg)* | 9,150 lb* (4 150 kg)* | | | 20 ft 1 in (6.13 m) | 8,950 lb* (4 060 kg)* | 8,950 lb* (4 060 kg)* |
| +20 ft (6 m) | 18 ft 9 in (5.72 m) | 11,150 lb* (5 058 kg)* | 11,150 lb* (5 058 kg)* | | | | | | | | | 11,150 lb* (5 058 kg)* | 11,150 lb* (5 058 kg)* | | | 23 ft 10 in (7.26 m) | 8,300 lb* (3 765 kg)* | 8,300 lb* (3 765 kg)* |
| +15 ft (4.5 m) | 15 ft 8 in (4.77 m) | 13,450 lb* (6 101 kg)* | 13,450 lb* (6 101 kg)* | | | | | | | | | 12,250 lb* (5 557 kg)* | 12,250 lb* (5 557 kg)* | 11,650 lb* (5 284 kg)* | 8,900 lb (4 037 kg) | 26 ft 2 in (8 m) | 8,100 lb* (3 674 kg)* | 8,100 lb* (3 674 kg)* |
| +10 ft (3 m) | 10 ft 0 in (3 m) | 27,950 lb* (12 678 kg)* | 27,950 lb* (12 678 kg)* | | | | | 28,300 lb* (12 837 kg)* | 28,300 lb* (12 837 kg)* | 17,750 lb* (8 051 kg)* | 17,750 lb* (8 051 kg)* | 14,050 lb* (6 373 kg)* | 12,000 lb (5 443 kg) | 12,400 lb* (5 625 kg)* | 8,650 lb (3 924 kg) | 27 ft 5 in (8.36 m) | 8,300 lb* (3 765 kg)* | 7,500 lb (3 402 kg) |
| +5 ft (1.5 m) | 10 ft 9 in (3.28 m) | 14,150 lb* (6 418 kg)* | 14,150 lb* (6 418 kg)* | | | | | | | 21,600 lb* (9 798 kg)* | 17,150 lb (7 780 kg) | 16,000 lb* (7 257 kg)* | 11,500 lb (5 216 kg) | 12,450 lb (5 647 kg) | 8,400 lb (3 810 kg) | 27 ft 9 in (8.46 m) | 8,800 lb* (3 992 kg)* | 7,250 lb (3 289 kg) |
| Groundline | 8 ft 11 in (2.72 m) | 11,100 lb* (5 035 kg)* | 11,100 lb* (5 035 kg)* | | | | | 15,150 lb* (6 872 kg)* | 15,150 lb* (6 872 kg)* | 23,800 lb* (10 795 kg)* | 16,550 lb (7 507 kg) | 16,900 lb (7 666 kg) | 11,100 lb (5 035 kg) | 12,200 lb (5 534 kg) | 8,250 lb (3 742 kg) | 27 ft 1 in (8.26 m) | 9,750 lb* (4 423 kg)* | 7,400 lb (3 357 kg) |
| -5 ft (-1.5 m) | 4 ft 1 in (1.25 m) | 14,900 lb* (6 759 kg)* | 14,900 lb* (6 759 kg)* | | | 15,450 lb* (7 008 kg)* | 15,450 lb* (7 008 kg)* | 25,550 lb* (11 589 kg)* | 25,550 lb* (11 589 kg)* | 24,150 lb* (10 954 kg)* | 16,350 lb (7 416 kg) | 16,700 lb (7 575 kg) | 10,950 lb (4 967 kg) | 12,150 lb (5 511 kg) | 8,200 lb (3 719 kg) | 25 ft 5 in (7.75 m) | 11,550 lb* (5 239 kg)* | 8,000 lb (3 629 kg) |
| -10 ft (-3 m) | 4 ft 1 in (1.25 m) | 25,500 lb* (11 567 kg)* | 25,500 lb* (11 567 kg)* | | | 26,550 lb* (12 043 kg)* | 26,550 lb* (12 043 kg)* | 32,300 lb* (14 651 kg)* | 31,700 lb (14 379 kg) | 22,700 lb* (10 297 kg)* | 16,450 lb (7 462 kg) | 16,800 lb (7 620 kg) | 11,050 lb (5 012 kg) | | | 22 ft 7 in (6.88 m) | 14,150 lb (6 418 kg) | 9,450 lb (4 286 kg) |
| -15 ft (-4.5 m) | 7 ft 6 in (2.29 m) | 31,450 lb* (14 265 kg)* | 31,450 lb* (14 265 kg)* | | | | | 25,850 lb* (11 725 kg)* | 25,850 lb* (11 725 kg)* | 18,400 lb* (8 346 kg)* | 16,950 lb (7 688 kg) | | | | | 18 ft 0 in (5.49 m) | 14,500 lb* (6 577 kg)* | 13,250 lb (6 010 kg) |

8 ft 2 in (2.5 m) Arm Lift capacities calculated using a 1,918 lb (870 kg) bucket, 11,508 lb (5 220 kg) counterweight.

| Load (Lift Point Height) | MINIMUM REACH | | | 0 ft (0 m) | | 5 ft (1.5 m) | | 10 ft (3 m) | | 15 ft (4.5 m) | | 20 ft (6 m) | | 25 ft (7.5 m) | | MAXIMUM REACH | | |
|--------------------------------|-------------------------|----------------------------|----------------------------|---------------|------|-----------------|------|----------------------------|----------------------------|----------------------------|---------------------------|---------------------------|-------------------------|-------------------------|-------------------------|------------------------|---------------------------|---------------------------|
| | @ | END | SIDE | END | SIDE | END | SIDE | END | SIDE | END | SIDE | END | SIDE | END | SIDE | @ | END | SIDE |
| +25 ft (7.5 m) | 18 ft 4 in (5.59 m) | 15,950 lb* (7 235 kg)* | 15,950 lb* (7 235 kg)* | | | | | | | | | | | | | 19 ft 4 in (5.89 m) | 14,750 lb* (6 690 kg)* | 14,750 lb* (6 690 kg)* |
| +20 ft (6 m) | 18 ft 4 in (5.59 m) | 15,850 lb* (7 189 kg)* | 15,850 lb* (7 189 kg)* | | | | | | | | | 15,650 lb* (7 099 kg)* | 15,550 lb (7 053 kg) | | | 23 ft 3 in (7.08 m) | 13,500 lb* (6 123 kg)* | 12,150 lb (5 511 kg) |
| +15 ft (4.5 m) | 13 ft 10 in (4.22 m) | 21,250 lb* (9 639 kg)* | 21,250 lb* (9 639 kg)* | | | | | | | 20,100 lb* (9 117 kg)* | 20,100 lb* (9 117 kg)* | 17,050 lb* (7 734 kg)* | 15,100 lb (6 849 kg) | 15,400 lb (6 985 kg) | 10,700 lb (4 853 kg) | 25 ft 7 in (7.8 m) | 13,150 lb* (5 965 kg)* | 10,300 lb (4 672 kg) |
| +10 ft (3 m) | 12 ft 10 in (3.91 m) | 30,200 lb* (13 698 kg)* | 27,650 lb (12 542 kg) | | | | | | | 25,200 lb* (11 431 kg)* | 21,950 lb (9 956 kg) | 19,300 lb* (8 754 kg)* | 14,500 lb (6 577 kg) | 15,150 lb (6 872 kg) | 10,450 lb (4 740 kg) | 26 ft 9 in (8.15 m) | 13,400 lb* (6 078 kg)* | 9,400 lb (4 264 kg) |
| +5 ft (1.5 m) | 13 ft 4 in (4.06 m) | 28,300 lb* (12 837 kg)* | 24,600 lb (11 158 kg) | | | | | | | 29,350 lb* (13 313 kg)* | 20,750 lb (9 412 kg) | 20,750 lb (9 412 kg) | 13,900 lb (6 305 kg) | 14,850 lb (6 736 kg) | 10,200 lb (4 627 kg) | 27 ft 0 in (8.23 m) | 13,250 lb (6 010 kg) | 9,150 lb (4 150 kg) |
| Groundline | 11 ft 10 in (3.6 m) | 20,800 lb* (9 435 kg)* | 20,800 lb* (9 435 kg)* | | | | | | | 30,950 lb* (14 039 kg)* | 20,250 lb (9 185 kg) | 20,300 lb (9 208 kg) | 13,500 lb (6 123 kg) | 14,650 lb (6 645 kg) | 10,000 lb (4 536 kg) | 26 ft 4 in (8 m) | 13,650 lb (6 192 kg) | 9,350 lb (4 241 kg) |
| -5 ft (-1.5 m) | 7 ft 0 in (2.13 m) | 18,900 lb* (8 573 kg)* | 18,900 lb* (8 573 kg)* | | | | | 28,500 lb* (12 927 kg)* | 28,500 lb* (12 927 kg)* | 30,300 lb* (13 744 kg)* | 20,150 lb (9 140 kg) | 20,200 lb (9 163 kg) | 13,400 lb (6 078 kg) | | | 24 ft 7 in (7.5 m) | 15,050 lb (6 827 kg) | 10,250 lb (4 649 kg) |
| -10 ft (-3 m) | 5 ft 9 in (1.75 m) | 36,000 lb* (16 329 kg)* | 36,000 lb* (16 329 kg)* | | | | | 37,400 lb* (16 964 kg)* | 37,400 lb* (16 964 kg)* | 27,400 lb* (12 428 kg)* | 20,450 lb (9 276 kg) | 20,250 lb* (9 185 kg)* | 13,600 lb (6 169 kg) | | | 21 ft 7 in (6.58 m) | 18,000 lb* (8 165 kg)* | 12,400 lb (5 625 kg) |
| -15 ft (-4.5 m) | 10 ft 0 in (3.0 m) | 27,700 lb* (12 565 kg)* | 27,700 lb* (12 565 kg)* | | | | | 27,650 lb* (12 542 kg)* | 27,650 lb* (12 542 kg)* | 20,000 lb* (9 072 kg)* | 20,000 lb* (9 072 kg)* | | | | | 16 ft 7 in (5.06 m) | 17,200 lb* (7 802 kg)* | 17,200 lb* (7 802 kg)* |

NOTE: *Following number indicates hydraulic capacity

LIFT CAPACITIES

11 ft 6 in (3.5 m) Arm Lift capacities calculated using a 1,742 lb (790 kg) bucket, 11,508 lb (5 220 kg) counterweight.

| Load (Lift Point Height) | MINIMUM REACH | | | 0 ft (0 m) | | 5 ft (1.5 m) | | 10 ft (3 m) | | 15 ft (4.5 m) | | 20 ft (6 m) | | 25 ft (7.5 m) | | 30 ft (9 m) | | MAXIMUM REACH | | |
|--------------------------------|-------------------------|----------------------------|----------------------------|---------------|------|----------------------------|----------------------------|----------------------------|----------------------------|----------------------------|---------------------------|---------------------------|---------------------------|---------------------------|-------------------------|--------------------------|------------------------|------------------------|---------------------------|--------------------------|
| | @ | END | SIDE | END | SIDE | END | SIDE | END | SIDE | END | SIDE | END | SIDE | END | SIDE | END | SIDE | @ | END | SIDE |
| +25 ft (7.5 m) | 21 ft 10 in (6.65 m) | 11,850 lb* (5 375 kg)* | 11,850 lb* (5 375 kg)* | | | | | | | | | | | | | | | 23 ft 7 in (7.19 m) | 8,100 lb* (3 674 kg)* | 8,100 lb* (3 674 kg)* |
| +20 ft (6 m) | 21 ft 10 in (6.65 m) | 12,900 lb* (5 851 kg)* | 12,900 lb* (5 851 kg)* | | | | | | | | | | | 11,950 lb* (5 420 kg)* | 11,100 lb (5 035 kg) | | | 26 ft 11 in (8.2 m) | 7,550 lb* (3 425 kg)* | 7,550 lb* (3 425 kg)* |
| +15 ft (4.5 m) | 19 ft 4 in (5.9 m) | 14,650 lb* (6 645 kg)* | 14,650 lb* (6 645 kg)* | | | | | | | | | 14,500 lb* (6 577 kg)* | 14,500 lb* (6 577 kg)* | 13,700 lb* (6 214 kg)* | 10,900 lb (4 944 kg) | | | 28 ft 11 in (8.8 m) | 7,350 lb* (3 334 kg)* | 7,350 lb* (3 334 kg)* |
| +10 ft (3 m) | 9 ft 4 in (2.84 m) | 35,600 lb* (16 148 kg)* | 35,600 lb* (16 148 kg)* | | | | | 32,550 lb* (14 764 kg)* | 32,550 lb* (14 764 kg)* | 21,300 lb* (9 662 kg)* | 21,300 lb* (9 662 kg)* | 17,000 lb* (7 711 kg)* | 14,800 lb (6 713 kg) | 14,950 lb* (6 781 kg)* | 10,600 lb (4 808 kg) | | | 30 ft 0 in (9.14 m) | 7,450 lb* (3 379 kg)* | 7,450 lb* (3 379 kg)* |
| +5 ft (1.5 m) | 10 ft 0 in (3.0 m) | 14,650 lb* (6 645 kg)* | 14,650 lb* (6 645 kg)* | | | | | | | 26,450 lb* (11 998 kg)* | 21,250 lb (9 639 kg) | 19,650 lb* (8 913 kg)* | 14,050 lb (6 373 kg) | 14,900 lb (6 759 kg) | 10,200 lb (4 627 kg) | 8,900 lb* (4 037 kg)* | 7,800 lb (3 538 kg) | 30 ft 2 in (9.2 m) | 7,800 lb* (3 538 kg)* | 7,700 lb (3 493 kg) |
| Groundline | 7 ft 10 in (2.38 m) | 10,350 lb* (4 695 kg)* | 10,350 lb* (4 695 kg)* | | | | | 17,350 lb* (7 870 kg)* | 17,350 lb* (7 870 kg)* | 29,700 lb* (13 472 kg)* | 20,300 lb (9 208 kg) | 20,300 lb (9 208 kg) | 13,500 lb (6 123 kg) | 14,550 lb (6 600 kg) | 9,900 lb (4 491 kg) | | | 29 ft 7 in (9 m) | 8,500 lb* (3 856 kg)* | 7,850 lb (3 561 kg) |
| -5 ft (-1.5 m) | 2 ft 4 in (0.71 m) | 14,200 lb* (6 441 kg)* | 14,200 lb* (6 441 kg)* | | | 15,400 lb* (6 985 kg)* | 15,400 lb* (6 985 kg)* | 26,050 lb* (11 816 kg)* | 26,050 lb* (11 816 kg)* | 30,700 lb* (13 925 kg)* | 19,900 lb (9 026 kg) | 20,000 lb (9 072 kg) | 13,200 lb (5 987 kg) | 14,400 lb (6 532 kg) | 9,750 lb (4 423 kg) | | | 28 ft 1 in (8.56 m) | 9,650 lb* (4 377 kg)* | 8,400 lb (3 810 kg) |
| -10 ft (-3 m) | 2 ft 4 in (0.71 m) | 23,100 lb* (10 478 kg)* | 23,100 lb* (10 478 kg)* | | | 25,650 lb* (11 635 kg)* | 25,650 lb* (11 635 kg)* | 39,000 lb* (17 690 kg)* | 39,000 lb* (17 690 kg)* | 29,500 lb* (13 381 kg)* | 19,950 lb (9 049 kg) | 19,950 lb (9 049 kg) | 13,200 lb (5 987 kg) | 14,500 lb (6 577 kg) | 9,850 lb (4 468 kg) | | | 25 ft 5 in (7.8 m) | 11,850 lb* (5 375 kg)* | 9,650 lb (4 377 kg) |
| -15 ft (-4.5 m) | 4 ft 8 in (1.42 m) | 38,300 lb* (17 373 kg)* | 38,300 lb* (17 373 kg)* | | | 38,950 lb* (17 667 kg)* | 38,950 lb* (17 667 kg)* | 35,950 lb* (16 307 kg)* | 35,950 lb* (16 307 kg)* | 25,500 lb* (11 567 kg)* | 20,350 lb (9 231 kg) | 18,350 lb* (8 323 kg)* | 13,550 lb (6 146 kg) | | | | | 21 ft 5 in (6.53 m) | 16,250 lb* (7 371 kg)* | 12,450 lb (5 647 kg) |

NOTE: *Following number indicates hydraulic capacity

SYSTEM FLUID CAPACITIES AND SPECIFICATIONS

| | Capacities | Specifications |
|--|------------------|------------------------|
| Hydraulic system | 77 gal (290 L) | ISO VG 46 |
| Hydraulic sump tank | 43 gal (162 L) | ISO VG 46 |
| Fuel tank | 108 gal (410 L) | Light oil (Diesel) |
| Cooling system | 7.9 gal (30.0 L) | Coolant 55%, Water 45% |
| Final drive case – per side | 1.3 gal (5.0 L) | API GL-4 90 |
| Swing drive case | 2.5 gal (9.6 L) | API GL-4 90 |
| Engine crank case – with Remote Oil Filter | 3.9 gal (14.6 L) | API CK-4 SAE 10W-40 |
| Urea water tank | 22 gal (84 L) | ISO 22241 |

STANDARD EQUIPMENT

ENGINE

FPT NEF6
Tier 4 Final/Stage V Certified
Selective Catalytic Reduction
on Filter – SCRoF
Six-cylinder turbo-charged diesel
Fixed geometry turbocharger
High pressure common rail
system - electronic
Neutral safety start
Auto-engine warm up
Air intake heater
Fuel Economy Assist System – FEA
Engine Protection Feature – EPF
Dual-stage fuel filtration
Dual element air filter
Remote oil filter
Drain for fuel tank
1,000-hour engine/oil change interval
24-volt system
Engine oil sample port
Battery disconnect switch
Emergency engine stop
External Fuel and DEF gauges
Fan housing
Fuel cooler
Fuel filter restriction indicator
Fuel shut-off valve
Radiator, oil cooler,
intercooler – protective chaff screen

FUEL ECONOMY SYSTEMS

Engine Idle/Fuel Economy System:
Auto-idle
One-touch idle
Timed engine shut down
BEC – Boom Economy Control
AEC – Auto Economy Control
SWC – Swing Relief Control
SSC – Spool Stroke Control

HYDRAULIC CONTROLS

Boom/Arm/Bucket/Swing:
Pilot pressure control system
(ISO or SAE control pattern)
Work mode select:
1 SP – mode
2 Power – mode
3 Eco – mode
4 Lift – mode
Travel mode select – 2-speed travel with
auto downshift
Attachment cushion control
Hydraulic lock – gate lock, left side tilt console
Single pedal travel
Custom flow balance adjustment:
Arm in vs. boom up
Arm in vs. swing
Multi-function with electronic pressure
and flow control/joystick activated
with electronic configurable
proportional controls

UPPER STRUCTURE

ISO mirrors – 3
Cab ISO-Mounts – fluid and spring
Upper mounted work light – 70 watt
Swivel guard belly pan
Center cover – over main CV
Fuel tank belly pan
Handrail – RH access
ISO guard rails
Lifting eyes for counterweight
Lockable fuel cap, service doors and tool box

ATTACHMENTS

Boom – 19 ft 2 in (5.85 m)
Arm – 9 ft 10 in (3.00 m)
Heavy-duty bucket linkage
Boom mounted work light – 70 watt
Auxiliary pipe brackets
Centralized grease fittings
Attachment cushion valve
Arm and boom regeneration
Bucket anti-clatter device
Chrome pins
Easy Maintenance System (EMS) bushings
Teardrop pin retention keepers

OPERATOR ENVIRONMENT

Operators cab:
Smooth and round shape design cab,
fabricated by press work
Safety glass for all windows
Shock-less cab suspension by 4-point
fluid mounting
Sliding front window with auto lock
10 in Full-color LCD monitor display
Membrane switch on monitor display with
5 configurable button on bottom
of monitor
Switch panel – including throttle dial with
eco-mode switch
Windshield wiper & washer
AM/FM/Bluetooth Radio with
hands-free phone
Sectioned floor mat
Polycarbonate roof hatch & Sun shade
Auto climate control
Roll-over protective structure – ROPS
Top guard OPG level 1 – in cab structure
Operator's seat:
Low frequency air suspension with
air springs and double acting
hydraulic damper.
With following features:
Manual weight adjustment
Backrest angle adjustment
Seat height adjustment
Adjustable armrest – Angle and height
Adjustable headrest
Retractable seat belt
Adjustable lumbar support
Console mount on suspension
Control consoles adjust
independently of seat

Others:
Rear view mirror – Cab side & Right side
Rear & Right-side view Camera

UNDERCARRIAGE

Travel motor Variable displacement
axial piston motor
Brake Mechanical disc brake
Hydraulic service brake Brake valve
Final drive Planetary gear reduction
Travel speeds:
High 3.4 mph (5.5 km/h)
(Automatic travel speed downshifting)
Low 2.2 mph (3.5 km/h)
Drawbar pull 45,000 lbf (200 kN)
Number of carrier rollers 2 – each side
Number of track rollers 9 – each side
Number of shoes 51 – each side
Type of shoe Triple semi-grouser shoe
Link pitch 7 in (190 mm)
Width of shoe 31 in (800 mm) S.T.D
Grade-ability 70% (35°)

TELEMATICS

CASE SiteWatch™ Telematics – includes
hardware and a 3-yr Advanced
data subscription for 2-way communication

MASS

Operating mass 56,900 lb (25 800 kg)
with 9 ft 10 in (3.0 m) Arm, 1.1 m³ Sumitomo
Bucket, 800 mm grouser shoe, operator,
lubricant, coolant, full fuel tank
Shipping mass 56,200 lb (25 500 kg)
Operating mass – (operator mass (75 kg)
+ full fuel mass + bucket mass (810 kg) +
shipping fuel mass
Counterweight mass 11,100 lb (5 050 kg)
Ground pressure 5.5 psi (0.038 MPa)
with 9 ft 10 in (3.0 m) Arm, 1.1 m³ Sumitomo
Bucket, 800 mm grouser shoe

ELECTRICAL SYSTEM

Engine control:
Dial type throttle control
One touch idle/Auto deceleration/timed
engine shutdown system
Emergency stop
Monitor system:
Message display – Caution, condition, etc.
Work mode display – SP, Power, Eco, Lift
Machine condition – Power boost, etc.
Alarm display and buzzer
Water temperature
Hydraulic oil temperature
Fuel level
Diagnosis system
Rear & Right-side view camera image
Urea water level
Wire harness
Travel alarm
Double horn
Battery
Lights
Working light
Upper 24 V 70 W x1
Boom 24 V 70 W x1
Cab 24 V 70 W x2
Operator's cab room 24 V 10 W x1

OPTIONAL EQUIPMENT

ENGINE

Refueling pump
Air pre-cleaner – Cyclone
High ambient temperature cooling package

HYDRAULICS

Auxiliary hydraulics:
Proportionally controlled secondary
low-flow auxiliary hydraulics
Hose Burst Check Valve – HBCV

MACHINE CONTROL

Leica iCON iXE2 – 2D System
Leica iCON iXE3 – 3D System

ATTACHMENTS

Heavy-duty arm – 8 ft 4 in (2.50 m)
Long arm – 11 ft 6 in (3.52 m)
Quick coupler/Case multi-pin grabber
Tools:
Heavy-duty/Extreme-duty/Ditching
Buckets; Hammers; Thumbs;
Compaction plates.

UPPER STRUCTURE

Rubber bumper guard – order through
Service Parts

UNDERCARRIAGE

23.6 in (600 mm) steel shoes,
triple semi-grouser
27.6 in (700 mm) steel shoes,
triple semi-grouser
Track guides – triple

OPERATOR ENVIRONMENT

FOPS cab top guard – Level 2
Front grill guard – 2 x 2 in (50.8 x 50.8 mm)
screen mesh
Front rock guard – vertical bars
Two piece/OPG 1
Front rock guard – vertical bars
One piece/OPG 2
Vandal guard (front window) with
common key
Rain deflector – not available with
Front guards
Sun visor
Max View Monitor – 3 cameras with
270-degree view
LED Package:
Includes 6 LED Lights – 2 front cab
mounted, 2 rear mounted and 1 mounted
on each side

CaseCE.com

©2022 CNH Industrial America LLC. All rights reserved. CASE is a trademark registered in the United States and many other countries, owned by or licensed to CNH Industrial N.V., its subsidiaries or affiliates. CNH Industrial Capital is a trademark in the United States and many other countries, owned by or licensed to CNH Industrial N.V., its subsidiaries or affiliates. Printed in U.S.A. Contains 10% post-consumer fiber.

IMPORTANT: CASE Construction Equipment Inc. reserves the right to change these specifications without notice and without incurring any obligation relating to such change. Availability of some models and equipment builds vary according to the country in which the equipment is used. The illustrations and text may include optional equipment and accessories and may not include all standard equipment. Your CASE dealer/distributor will be able to give you details of the products and their specifications available in your area.



CASE Construction Equipment is biodiesel-friendly. NOTE: All engines meet current EPA emissions regulations. All specifications are stated in accordance with SAE Standards or Recommended Practices, where applicable.



Always read the Operator's Manual before operating any equipment. Inspect equipment before using it, and be sure it is operating properly. Follow the product safety signs and use any safety features provided.

Form No. CCE202209CX260ELC

Replaces Form No. CCE202203CX260ELC

CX260E LC

7 of 7